

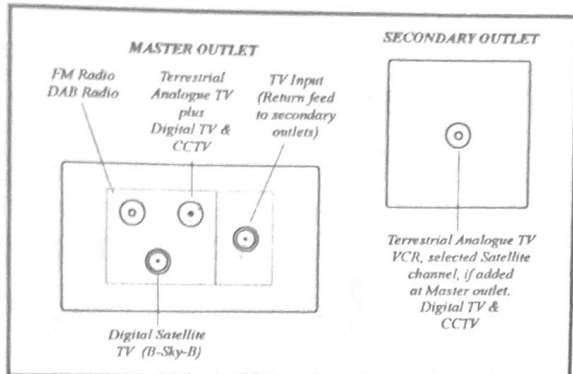
TV SYSTEM - SERVICES, CONNECTION, OPERATION

Your new apartment has an integrated TV reception system (IRS) installed to give you the maximum choice of TV and Radio services available at this location. These include :

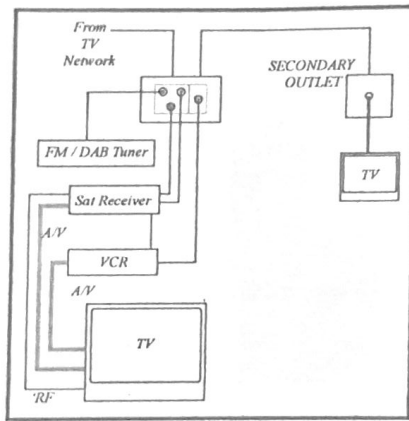
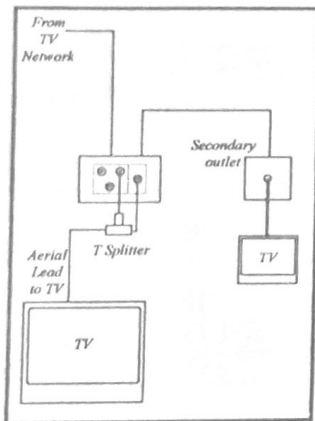
~~BBC1, BBC2, TV, Channel 4 and Channel 5, from your local TV transmitter.~~

- The new Terrestrial Digital TV service (BBC Freeview).
- Sky TV - The Sky Digital Satellite TV Service (a single dish serves all apartments).
- FM Radio and Digital Radio Services.
- CCTV to show pictures from the door entry camera. — CHANNEL 23 (ANALOGUE)

If you have a VCR and/or Satellite Receiver, the pictures from these can be added to your apartments 'system' for distribution to secondary outlets in bedrooms. You also have the option (with the purchase of additional equipment), to control your Satellite Receiver from secondary outlet locations.



The Master outlet is a double gang wall plate installed in the lounge area. It has three sockets to provide the necessary signals for your TV, Satellite Receiver and Radio, plus a "return feed". TV socket. This allows you to add and send TV signals from other equipment located in your lounge, to secondary outlets installed in bedrooms. Usually adjacent to this plate is a Telephone Extension socket. This is primarily provided for connection to a Satellite receiver, to allow for interactive services such as on line shopping.



The diagram on the left illustrates the basic connections required to send TV signals to a TV in the lounge and a TV in a bedroom. The necessary connecting leads and splitter unit can be purchased from any TV dealer or by mail order from Trac Communications on 01642 712481.

The diagram on the right illustrates a typical set up using a combination of aerial (RF) connections and SCART (AV) connections, to integrate a Satellite Receiver and VCR into your home system. The necessary leads and detailed instructions will be supplied with the Receiver and VCR. For additional information, consult your equipment supplier.

TROUBLE-SHOOTING

No Picture on TV connected to Master TV Outlet	TV Aerial Lead is plugged into wrong socket on Master outlet. See diagram above. TV is not tuned to local TV transmitter TV is connected through VCR or Satellite Receiver which is not switched on, or not connected to correct socket on Master outlet plate.
No picture on TV connected to secondary outlet in bedrooms.	The source of TV signals for secondary outlets should be taken from the separate TV <u>Input</u> socket on the Master Outlet. (See diagram above). Is this connected? TV Aerial Lead is not plugged into secondary outlet. TV is not tuned to local TV transmitter Where more than two secondary outlets are fitted, a distribution amplifier may be installed, typically in a meter or cylinder cupboard. Is the amplifier connected to a mains supply. Are all coaxial leads connected to the amplifier.
Satellite Receiver - no picture or shows 'No Signal' message on TV screen	Receiver not connected to 'F screw on' socket on Master outlet. Receiver not connected to TV with SCART or Aerial Lead - Check Receiver Instruction Book for details.

IMPORTANT - PLEASE READ

The Integrated Reception System (IRS) in this building has been installed by SIS (Northern) Ltd. SIS are responsible for the correct operation of the system but are specifically not responsible for the connection, setting up and tuning of equipment connected to the system. Problems relating to these aspects of your installation should always be referred to your equipment supplier. Where SIS are called out to resolve installation problems specifically not related to a TV system fault, a call out charge will always be incurred.